

## ISODYNE®



### DESCRIPTION

The ISODYNE® mount comprises two half mountings joined together.

### OPERATION

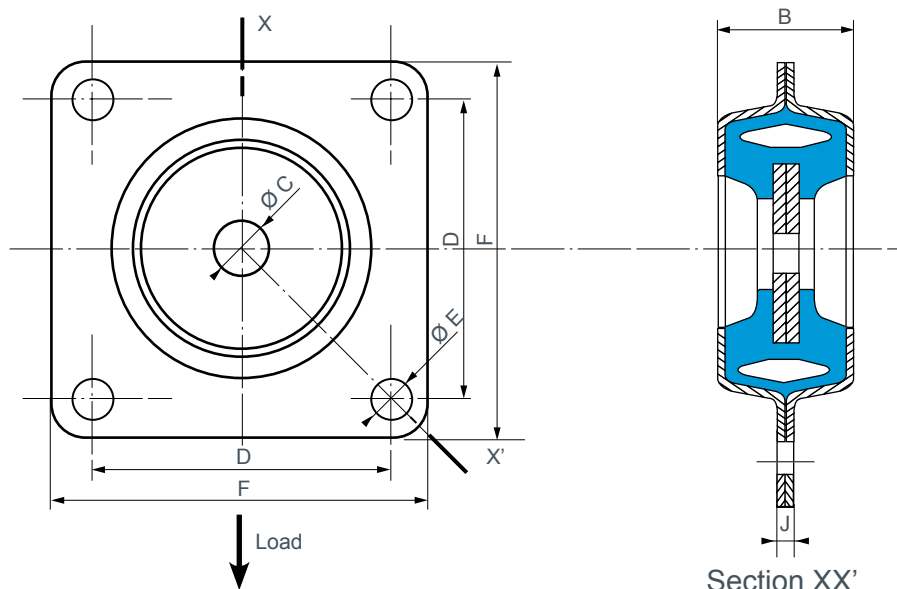
The design of the ISODYNE® mount gives the following basic characteristics :

- a very high axial to radial stiffness ratio;
- vertical fixing avoiding excessive inclination of the equipment;
- fixing at any angle;
- safe (551571), anti-rebound.

### APPLICATIONS

ISODYNE® can be used to suspend lightweight equipment in a vertical plane.

## DIMENSIONS



Reference	Hardness	B (mm)	Ø C (mm)	D (mm)	Ø E (mm)	F (mm)	J (mm)	Weight (g)
551321	50	16	4,2	25,4	3,5	32	1,6	10
551441	45	18	6,5	35	4,2	44,5	2	24
551571	45.60	20	8,2	45,5	6,2	57,5	2	50

See current price list for availability of items.

## OPERATING CHARACTERISTICS

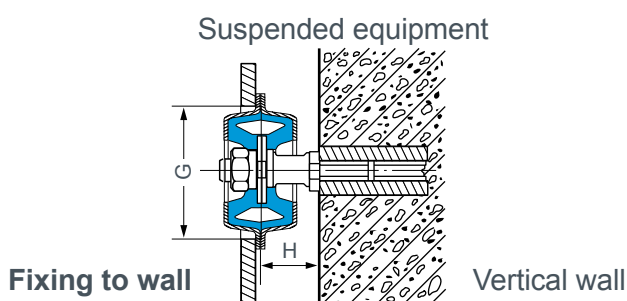
Nominal static load (daN)	Deflect. (mm)	Reference	Hardness
2,5	1	551321	50
10	3	551441	45

Nominal static load (daN)	Deflect. (mm)	Reference	Hardness
25	2,5	551571	45
35	2,5	551571	60

## ASSEMBLY

Fixing clearances (approximate).

Reference	G (mm)	H (mm)
551321	28	18
551441	40	20
551571	47	22



Fixing a control panel against a wall or vertical frame.

